

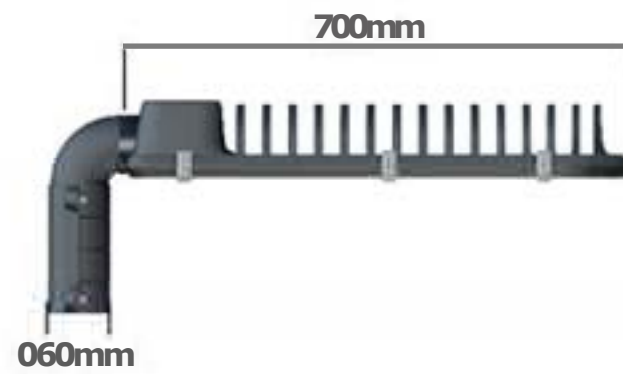
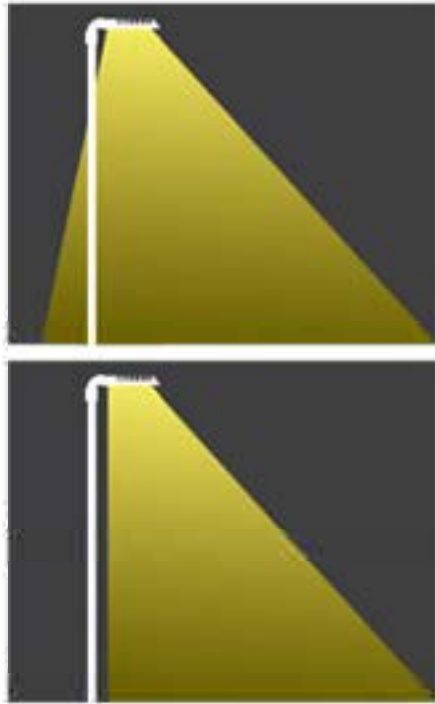
# KAEL



60- 120 Watt  
Compatible



Asymmetrical  
Symmetrical



Product	Power	Lumen Output	Color Temp.
KAEL	60W	6360 / 6555 lm	3000K/4000K
KAEL	90W	9810 / 10102 lm	3000K/4000K
KAEL	120W	13080 / 13470 lm	3000K/4000K

"CRI>70: Power Factor >95. Drive current 350 ma-1050ma

